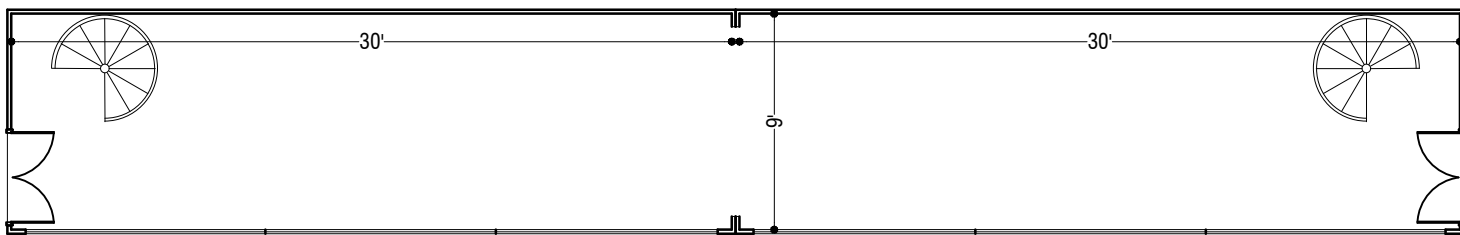


FRONT ELEVATION

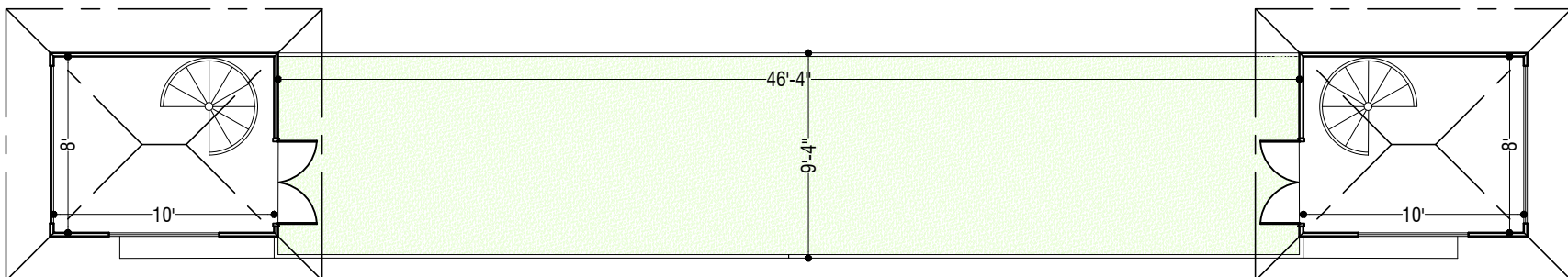
SCALE : EIGHT FEET TO AN INCH



GROUND FLOOR PLAN

SCALE : EIGHT FEET TO AN INCH

AREA : 566 sqft



UPPER FLOOR PLAN

SCALE : EIGHT FEET TO AN INCH

AREA : 172 sqft